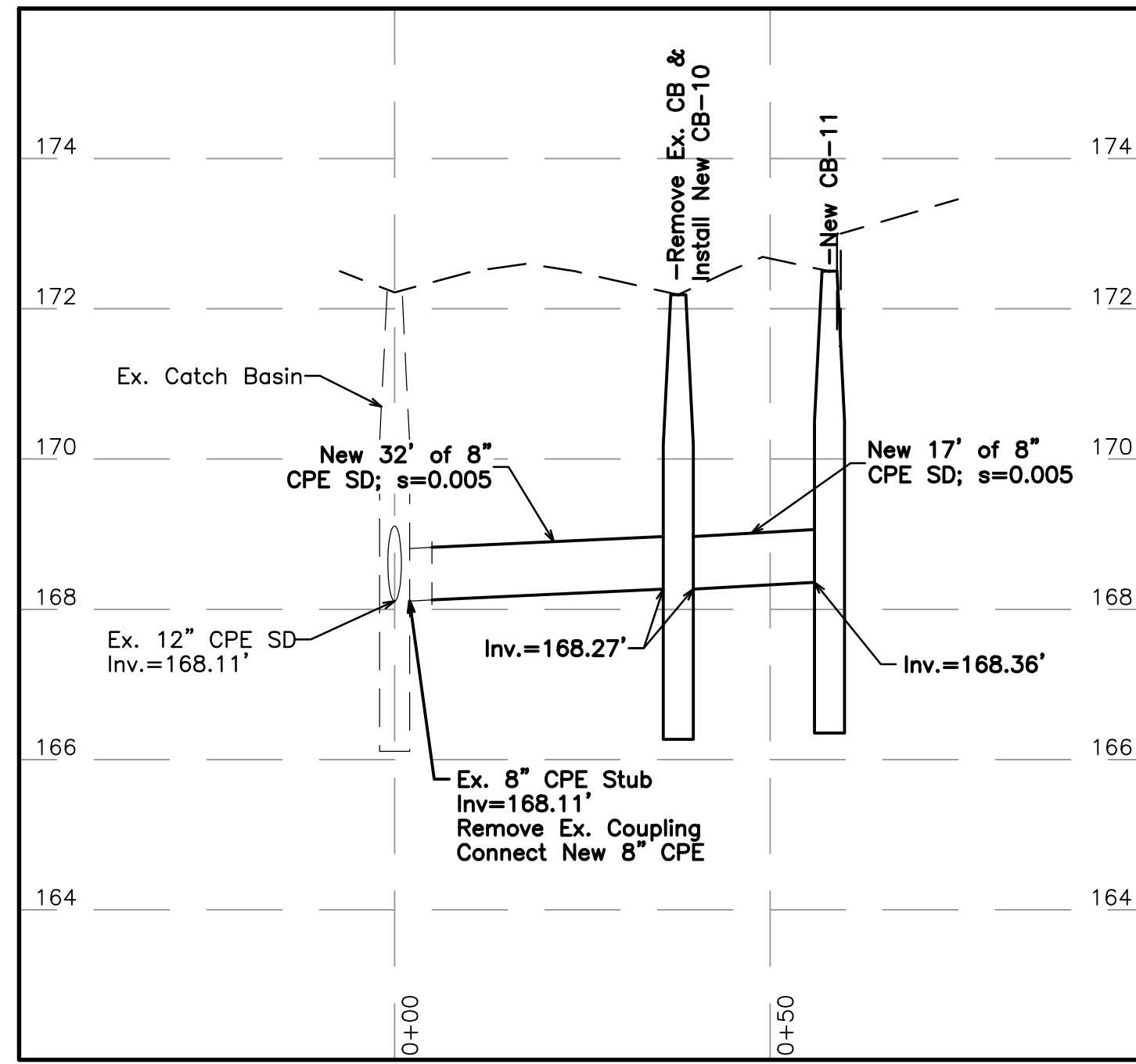


**GENERAL NOTES:**

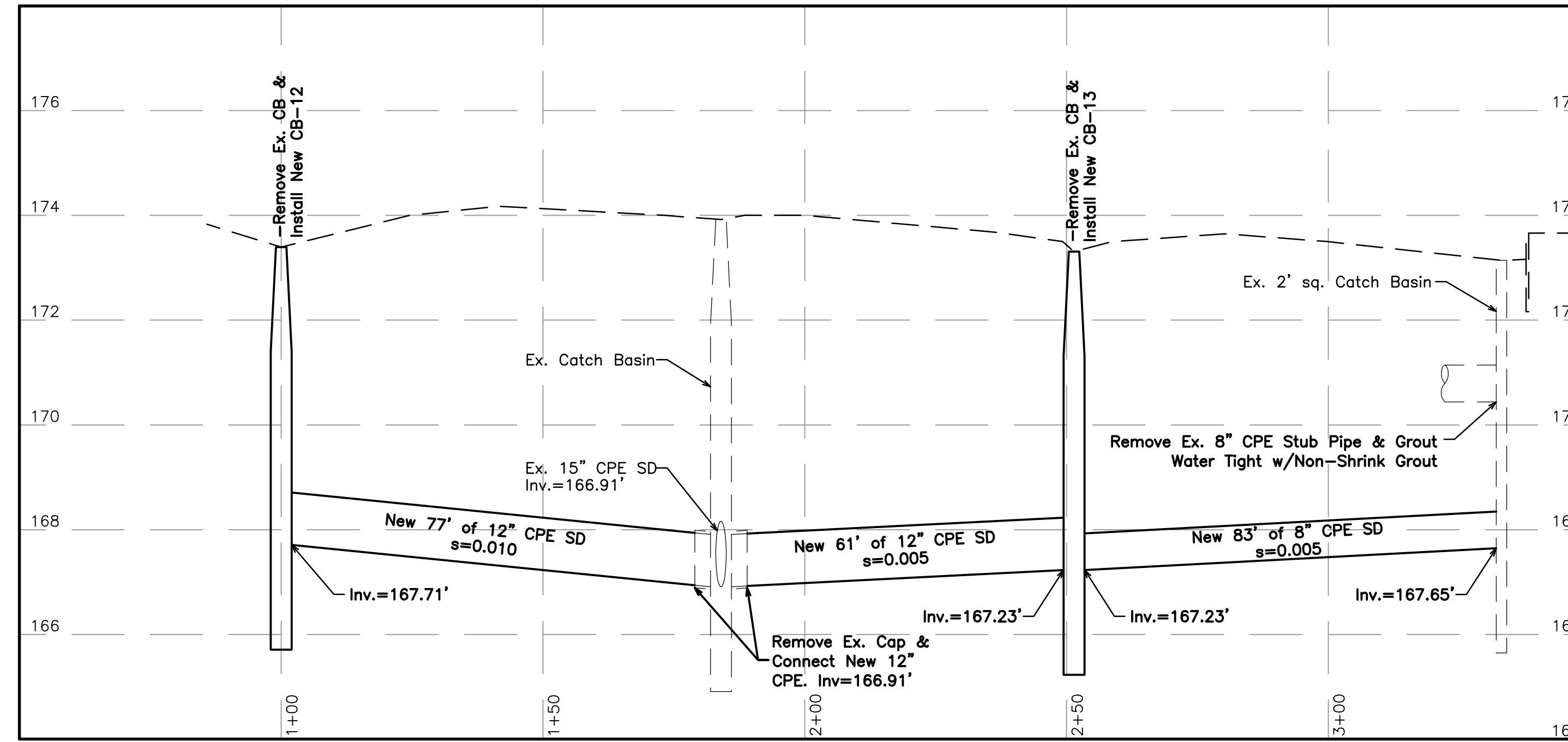
1. The location of the existing utilities shown on the plans were compiled from field survey and various other sources. Locations are approximate and not guaranteed to be accurate nor is it guaranteed that all utilities are shown.
2. Erosion Control Measures, where needed, shall be installed prior to any construction work and shall comply with Maine DEP requirements.
3. Excavate Test Pits prior to start of any Construction Work.
4. Cleanup of Work Areas shall be done concurrently with utility installation.
6. Backfilling and Compaction shall be strictly monitored. It is highly recommended that a vibratory roller be used for Compaction of all Trenches.
7. Existing Catch Basins/Storm Drain Manholes labelled (R) are to have their frames and covers removed and delivered to the Owner; remove and dispose of top section (3'±) then fill basin with flowable fill. Pipes to be discontinued at these structures shall be plugged & sealed with brick & non-shrink grout. Other pipes labelled (C) shall be plugged & sealed with brick & non-shrink grout.

NO.		REVISIONS		DATE	TOWN OF SKOWHEGAN SKOWHEGAN, MAINE	
SCALE:		AS NOTED		DATE:	MUNICIPAL PARKING LOT STORM DRAIN PROJECT	
DRAWN BY:		RJB-ASD		CHECKED:	STORM DRAIN PLAN	
APPROVED:				FIELD BK:	53	
PROJECT:		#42501		FILE:	PED CONNECTOR	
PROGRESS PRINT				DIRIGO ENGINEERING		SHEET
				2 DIRIGO DRIVE, FAIRFIELD, MAINE 04937 (207) 453-2401		1 OF 2

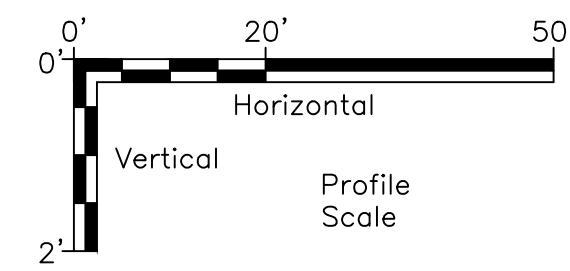
Note: On the Original Full-Scale Drawing, this dimension is 6"



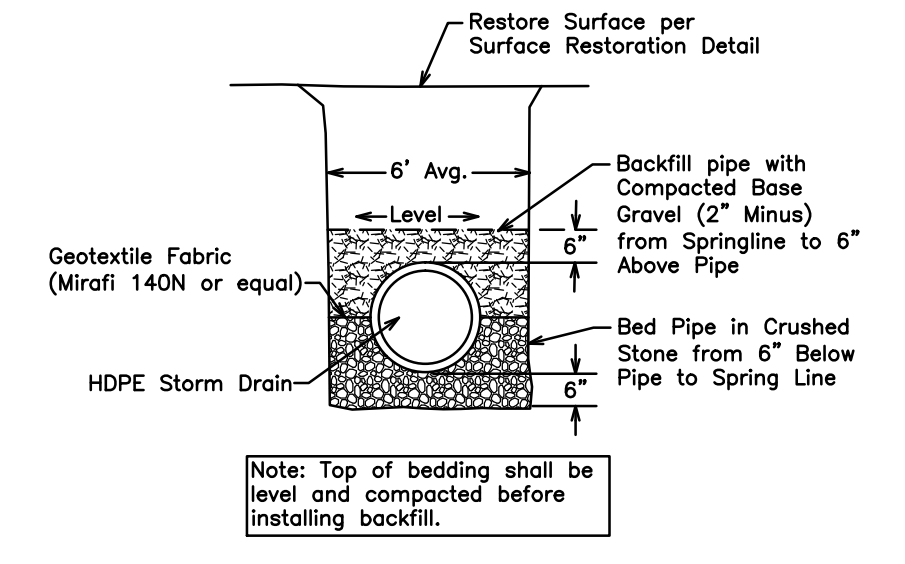
STORM DRAIN NORTH PROFILE



STORM DRAIN CENTRAL PROFILE

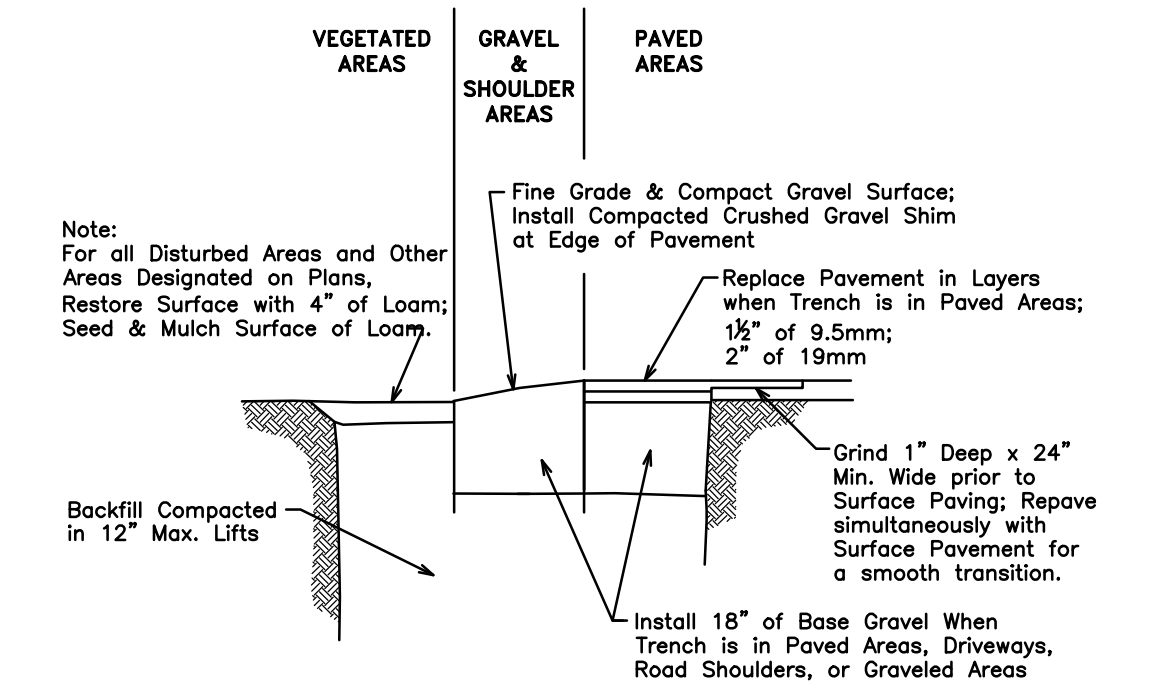


Note: Proposed Conduits Not Shown in Profiles



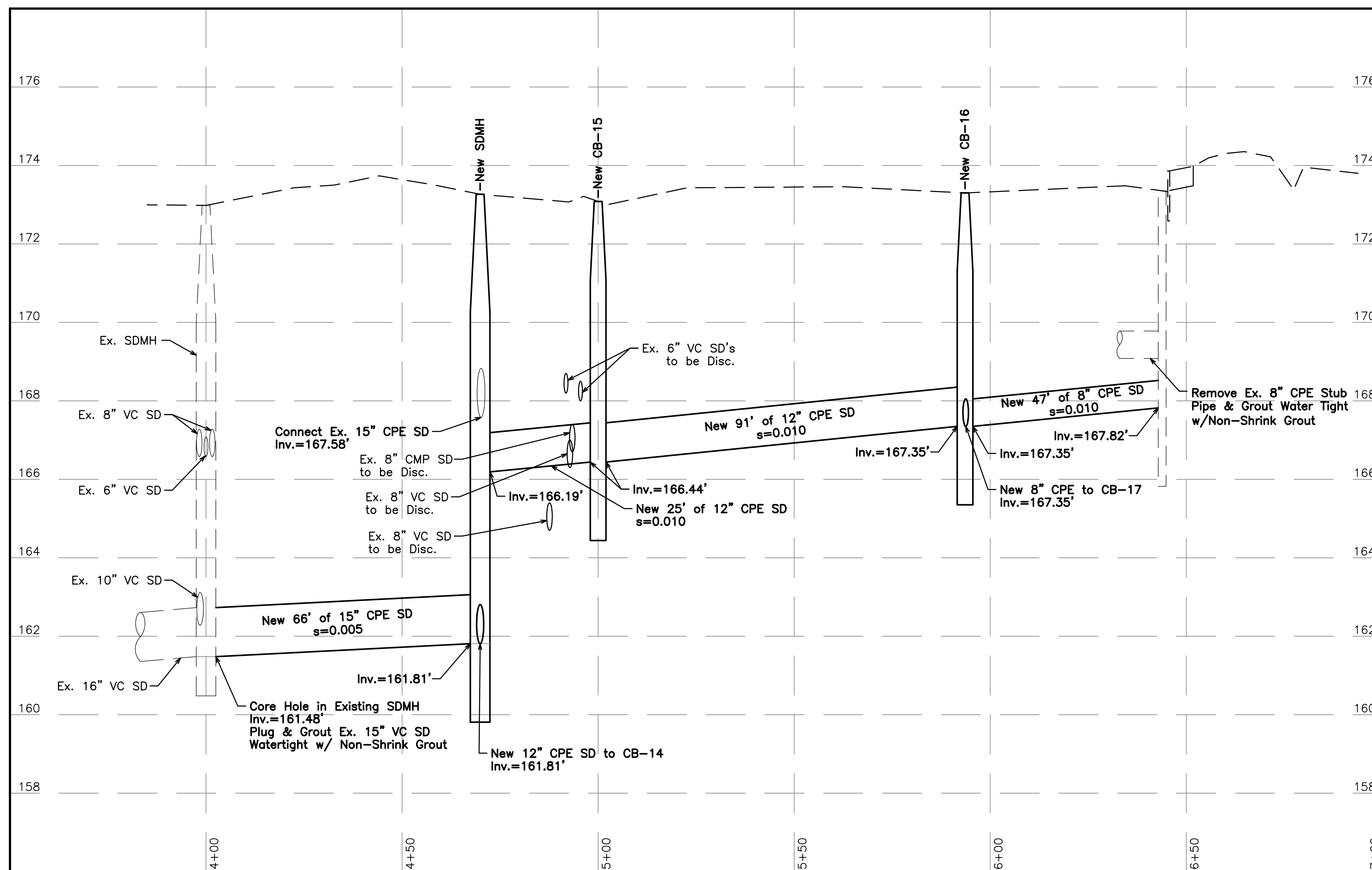
CPE SD TRENCH DETAIL

NOT TO SCALE

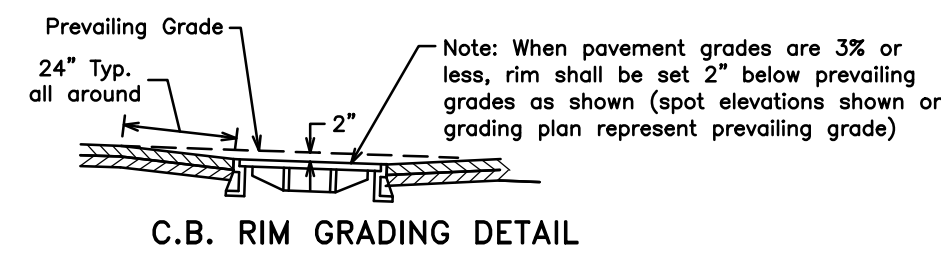


SURFACE RESTORATION DETAIL

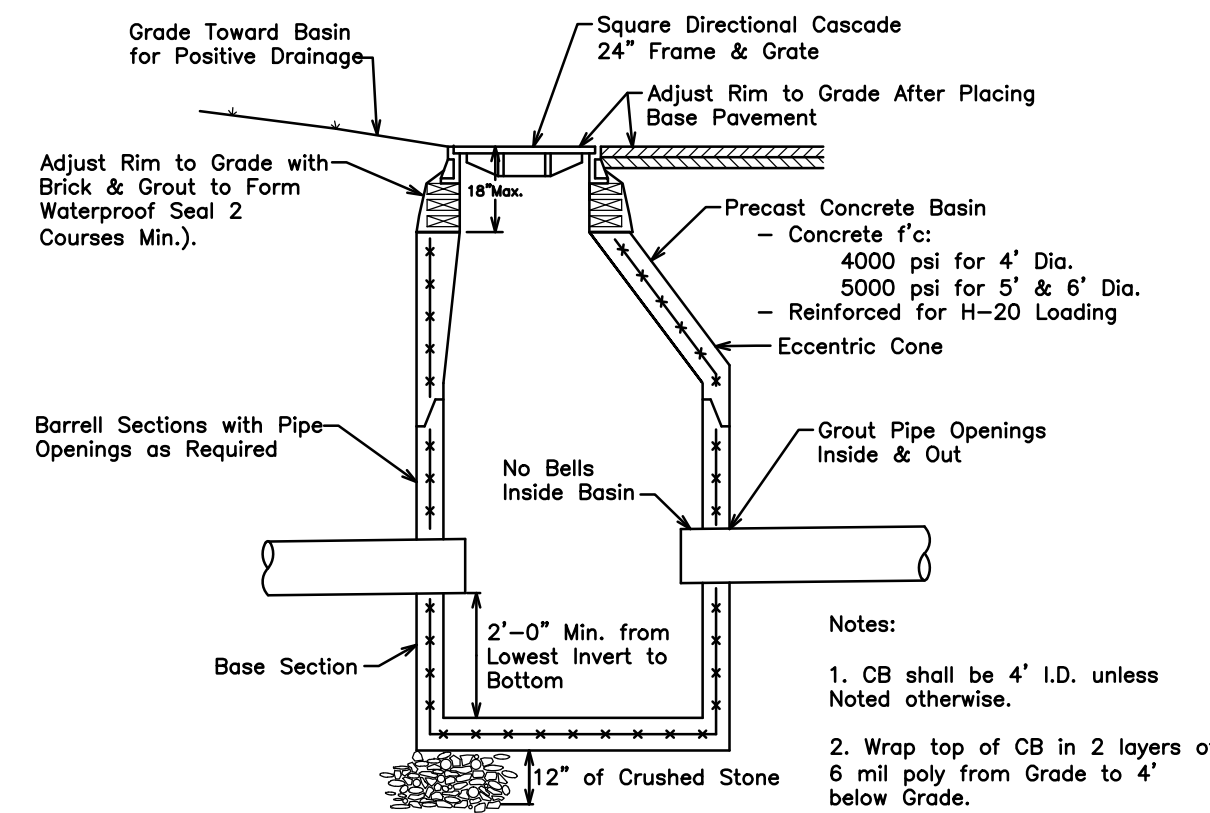
NOT TO SCALE



STORM DRAIN SOUTH PROFILE

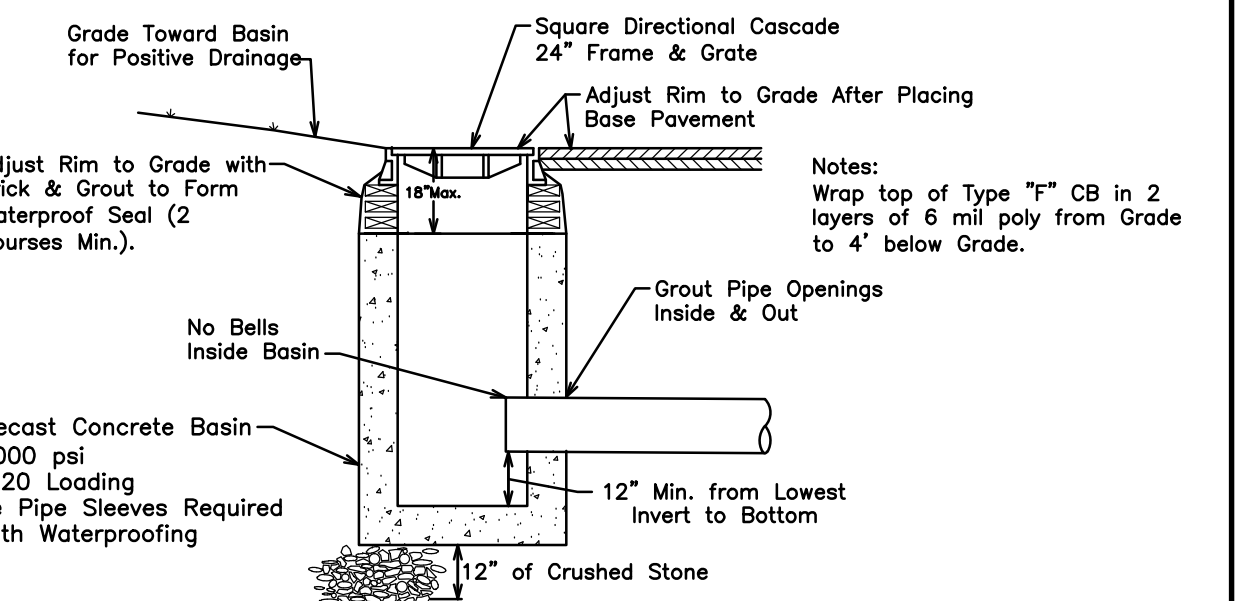


C.B. RIM GRADING DETAIL



TYPICAL CATCH BASIN DETAIL

NOT TO SCALE



TYPICAL 24" SQ. TYPE "F" CATCH BASIN DETAIL

NOT TO SCALE

NO.		REVISIONS	DATE
NO.		SCALE:	AS NOTED
NO.		DATE:	7/20/12
NO.		DRAWN BY:	RJB-ASD
NO.		CHECKED:	
NO.		APPROVED:	
NO.		FIELD BK:	53
NO.		FILE:	PED CONNECTOR
NO.		PROJECT:	#42501

TOWN OF SKOWHEGAN SKOWHEGAN, MAINE	
MUNICIPAL PARKING LOT STORM DRAIN PROJECT	
STORM DRAIN PROFILES & MISCELLANEOUS DETAILS	
<b>DIRIGO ENGINEERING</b>	
2 DIRIGO DRIVE, FAIRFIELD, MAINE 04937 (207) 453-2401	

PROGRESS PRINT	SHEET
	2 OF 2

Note: On the Original Full-Scale Drawing, this dimension is 6"